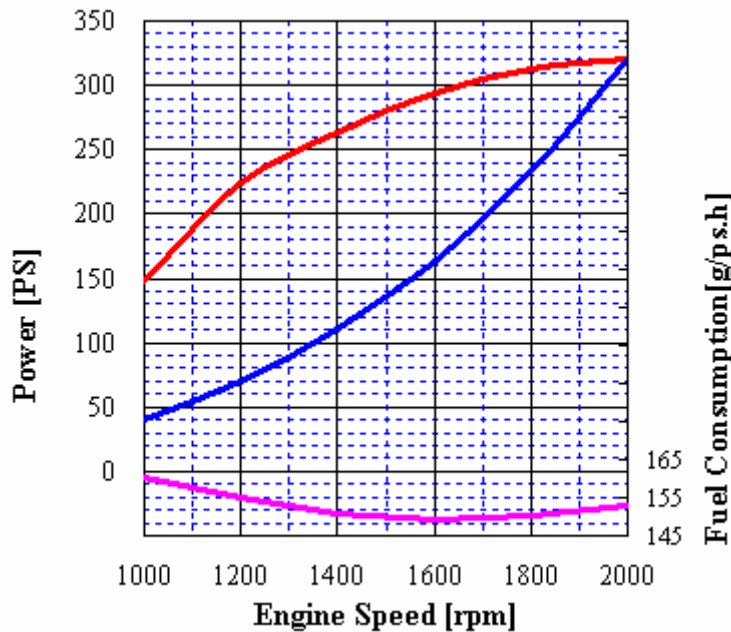
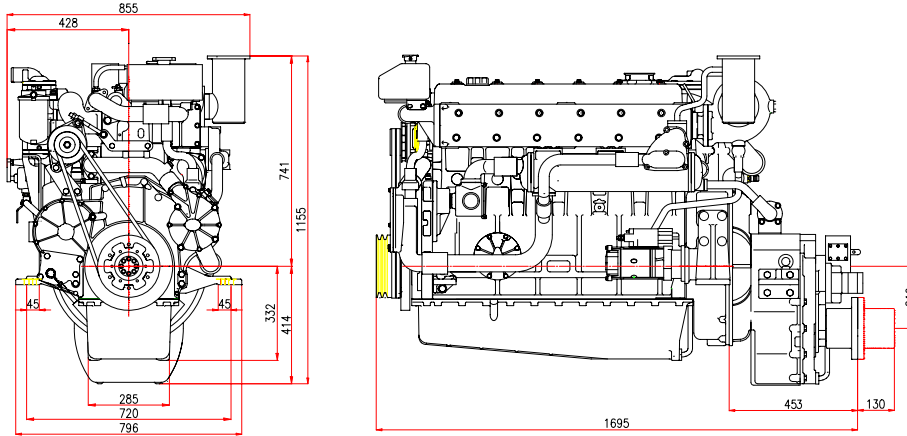


## POWER RATING

Production tolerance :  $\pm 3\%$

MODEL	CONDITIONS	POWER	rpm	Base Engine
MD196TI	HEAVY DUTY	320PS (235kW)	2,000	DE12TI

**Note : 1)** No reduction in rating for intake air temperature is up to 45 °C (318K) and sea water temperature is up to 32 °C (305K) , relative humidity is up to 60 % all data are based on operation to ISO 3046.



- **Heavy Duty** : Operation hours are unlimited per year,  
 At average load application is up to 90 % ,  
 At full load application is up to 80 %  
 Typical gearbox ratio: 2.5 ~ 6  
 (Fishing trawler, Tug boat, Pushing vessel, Cargo boat, Freighter, Ferry)

## Engine Specification

Model	Units	MD196TI
Engine type		4 cycle, In line, direct- injection, water cooled with wet turbo charger & inter-cooler
Rating output (B.H.P)	PS(kW)/rpm	320(235)/2,000
Displacement	cc	11,051
Cylinder number - bore(φ) x stroke	mm	6 - φ123 x 155
Valve clearance at cold	In / Ex	mm 0.3 / 0.3
Low idling rpm	rpm	750+50
No load max. rpm	rpm	below 2,200
Mean effective pressure	kg/cm <sup>2</sup>	13.03
Mean piston speed	m/sec.	10.33
Compression ratio		16.5 : 1
Firing order		1 - 5 - 3 - 6 - 2 - 4
Max. firing pressure of cylinder	kg/cm <sup>2</sup>	105
Compression pressure	at 200 rpm	kg/cm <sup>2</sup> 28 ( Initial condition )
Governor type of injection pump		Mechanical variable speed (R.Q.V)
Fuel consumption	g/PS.h	158
	lit / h	61
Injection timing (B.T.D.C)	deg	16°±1°
Fuel inj. nozzle opening pressure	kg/cm <sup>2</sup>	1st : 160 , 2nd : 220
Starting system		Electric Starting by starter motor
Starter motor capacity	V- kW	24 - 6.0
Alternator capacity	V- A	24 - 50
Battery	V- Ah	24 - 150
Cooling system		Indirect sea water cooling with heat exchanger
Cooling water capacity	Max. / Min.	lit 24 / 19
Fresh water pump type		Centrifugal type, driven by gear
Sea water pump type		Rubber impeller type driven by gear
Lubricating oil (Engine)	Pan capacity	lit Max : 25, Min : 19 ( Engine total : 27)
	Pressure	kg/cm <sup>2</sup> Full : 3.5, Idle : 1.2
Marine gear	Model	TK450 (TaePyongYang)
	Gear ratio	1.97 2.53 3.04 3.42
Direction of revolution	Crankshaft	Counter clockwise viewed from stern side
	Propeller	Clockwise viewed from stern side
Engine size (L x W x H)	Without M/G	mm 1,242 x 854 x 1,073
	With M. gear	mm 1,695 x 854 x 1,155
Engine dry weight	Without M/G	kg 1,009
	with M. gear	kg 1,329

psi = kg/cm<sup>2</sup> x 14.22  
 lb/ft. = N.m x 0.737  
 kW = 0.2388 kcal/s

lb= kg x 2.205  
 lb/PS.h = g/kW.h x 0.00162  
 cfm = m<sup>3</sup>/min x 35.3

hp = PS x 0.98635  
 U.S gal. = liter x 0.264

### Head office

7-11, Hwasu-Dong, Dong-Gu, Incheon, Korea  
**TEL : 82-32-760-1951, 1953 FAX : 82-32-761-2759**

### Seoul Office

Doosan Infracore Co. Ltd.,  
 22nd Floor, Doosan Tower, 18-12, Euljiro 6-ga, Jung-gu,  
 Seoul, Korea.

**TEL : 82-2-3398-8521-8536 FAX : 82-2-3398-8509**  
 Web site : [www.doosaninfracore.com](http://www.doosaninfracore.com)

※ Specifications are subject to change without prior notice.